

DumpsValid



WHAT PEOPLE SAY



Malcolm

Good study material for the test. I appeared today for my C2010-501 exam and passed. I would not have passed the C2010-501 exam without it. Thanks.



Ward

Who needs the latest file? I can send you at 70% discount. I pass the C2090-614.



Arlene

Good test. I pass the exam. thanks. Someone who wants the PDF file can email me.

Disclaimer Policy: The site does not guarantee the content of the comments. Because of the different time and the changes in the scope of the exam, it can produce different effect. Before you purchase the dump, please carefully read the product introduction from the page. In addition, please be advised the site will not be responsible for the content of the comments and contradictions between users.

<http://www.dumpsvalid.com>

Download a free sample of any of our exam questions and answers

Exam : **E20-562**

Title : VPLEX Specialist Exam for
Storage Administrators

Vendor : EMC

Version : DEMO

NO.1 DRAG DROP

What is the correct order of steps to migrate from an old array to a new one without disruption using VPLEX?

- VPLEX admin monitors progress of the migration; I/O to host continues
- VPLEX discovers the new array and the admin creates migration target devices
- Connect new storage array to VPLEX
- Once volumes on the new array are fully synchronized, the admin commits the migration
- VPLEX admin initiates mobility job(s)

- STEP 1**
- STEP 2**
- STEP 3**
- STEP 4**
- STEP 5**

Answer:

-
-
-
-
-

- Connect new storage array to VPLEX
- Once volumes on the new array are fully synchronized, the admin commits the migration
- VPLEX discovers the new array and the admin creates migration target devices
- VPLEX admin initiates mobility job(s)
- VPLEX admin monitors progress of the migration; I/O to host continues

NO.2 To which VPLEX component does the SNMP management station connect to gather statistics?

- A. VPLEX Witness
- B. Management server
- C. Director-A
- D. Director-B

Answer: B

NO.3 What is a characteristic of global commands in the VPIexcli?

- A. Executable from any director
- B. Control tasks running on all directors
- C. Run exclusively from the root context

D. Accessible from all contexts

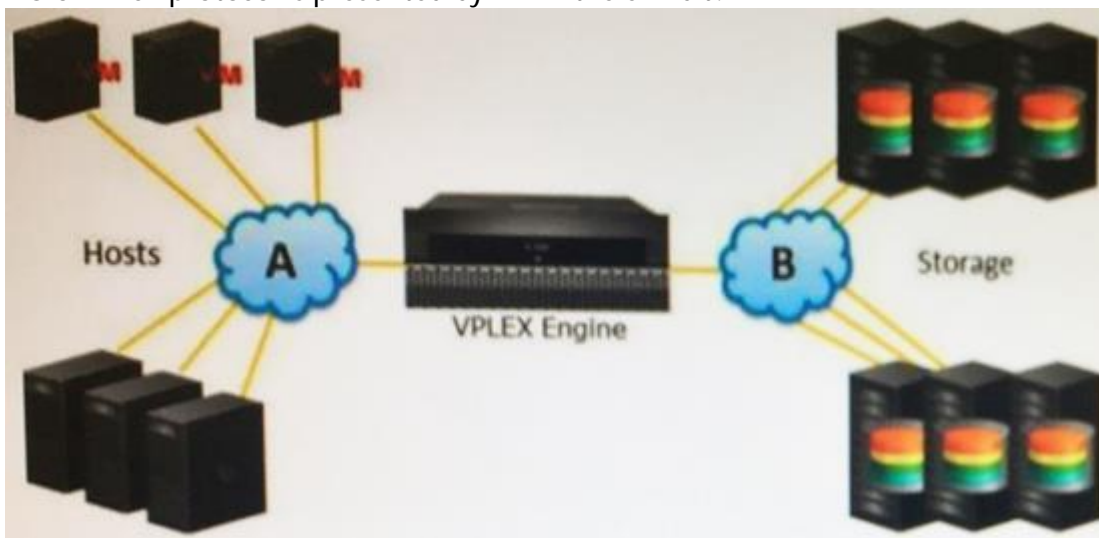
Answer: D

NO.4 When using VPLEX Metro, what is the supported round trip time between clusters?

- A. 5 ms
- B. 15 ms
- C. 20 ms
- D. 30 ms

Answer: A

NO.5 Which protocol is presented by "B" in the exhibit?



- A. FC
- B. iSCSI
- C. FCoE
- D. IPFC

Answer: A